

SHIVATRADE IMPEX PVT LTD

BRIDGING BORDERS, DELIVERING EXCELLENCE

EXPORT MERCHANDISE

At Shivatrade, we are dedicated to providing reliable and efficient **export solutions** tailored to the ever-evolving demands of international trade.

ABOUT US

GLOBAL TRADE BUSINESS



With a focus on precision, security, and care, we ensure the smooth movement of goods across borders, oceans, and skies.

Our experienced team specializes in navigating the complexities of global logistics, connecting industries, and fostering opportunities in markets around the world. Trust us to be your partner in building bridges and delivering excellence in the global economy.

2023

Year Founded

100+

Sea Container Shipped

20+

Air Shipment

A+

Client Ratings



Shivatrade

Warehouse



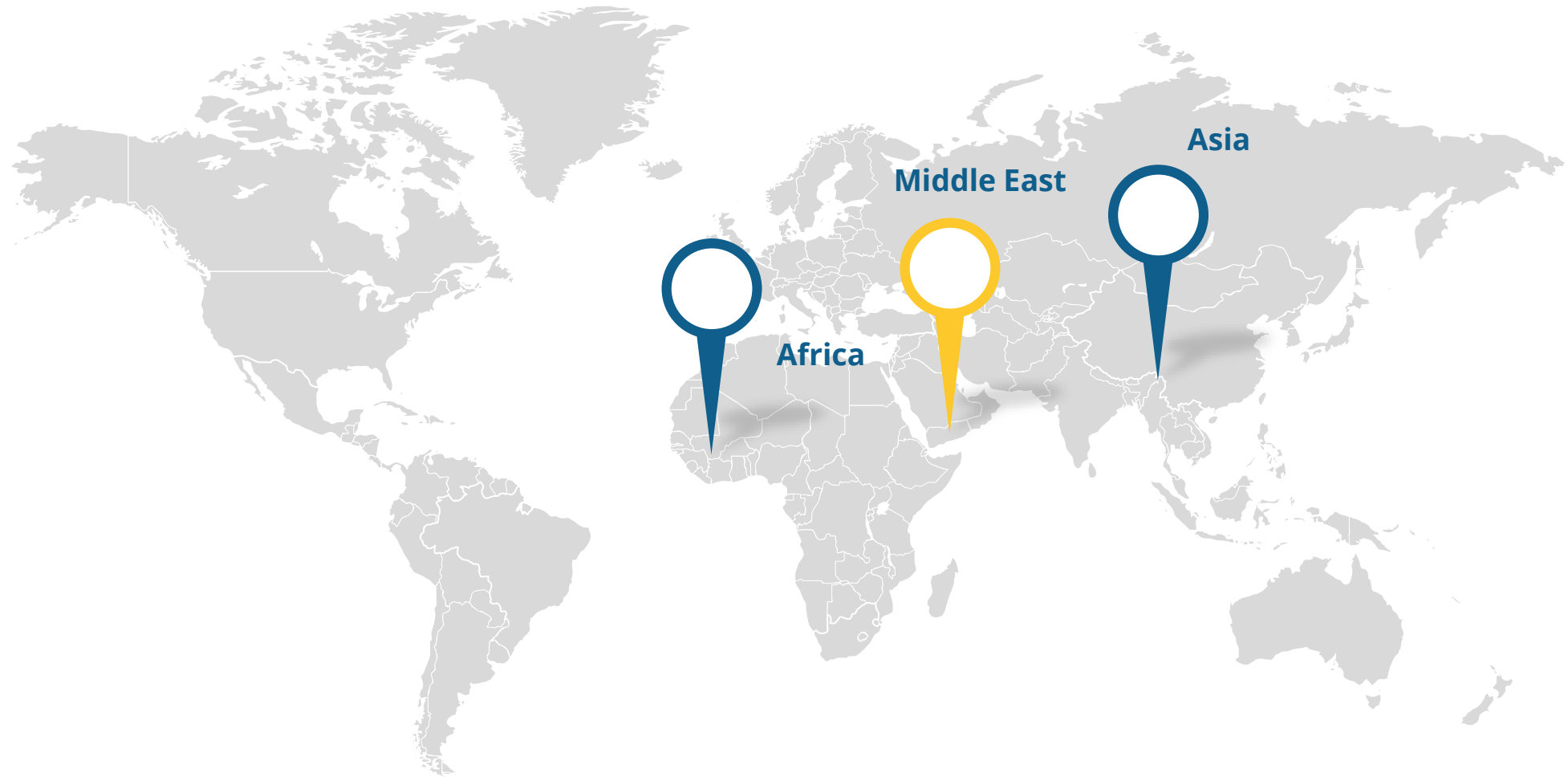
WAREHOUSES
WE STORE & DELIVER!



Warehouse

WORLDWIDE

Global Reach, Seamless Delivery



GLOBALLY EXPORT ITEMS LIST

CHEMICAL ITEMS

We supply all types of raw materials for Painting, PVC, or Plastic industries.



Examples include:

- CNSL Resin (Phenolic Resin AL 3)
- Talc Powder
- White China Clay
- Red Oxide Powder
- Finawax OP 106
- Zinc Phosphate
- Gum Turpentine
- Pine Oil
- ETC

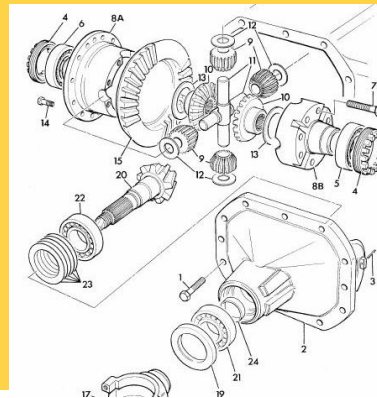
SPARE PARTS – AUTOMOBILE & MACHINARIES

SPARE PARTS – AUTOMOBILE & MACHINERIES

We supply all types of Spare Parts for Automobiles.

Examples include:

- Automobile Two and Four-Wheeler Spare Parts
- Ashok Leyland Spare Parts
- Toyota Spare Parts
- Suzuki Spare Parts
- JCB Spare Parts
- TVS Bike Spare Parts
- Handicapped Tricycle Premium
- Harvester Spare Parts
- Kirloskar Spares
- ETC



GLOBALLY EXPORT ITEMS LIST

ENGINEERING PRODUCTS

We supply all types of Manufactured Goods & Engineering Products.

Examples include:

- All types of valves
- Pumps & compressors
- All types of V belts
- Motors
- All types of bearings
- All types of fasteners, Forged & Fabricated Components
- Rubber Components (Moulded & Extruded Products)
- ETC



CONSTRUCTION MACHINES

We supply different types of heavy equipment commonly used in construction and all types of **CONSTRUCTION MACHINERY SPARE & ACCESSORIES**.

Examples include:

- JAYPEE HEAVY DUTY HYDRAULIC CONCRETE MIXER
- CONCRETE PUMP MODEL SP1807 RMC
- NEEDLE VIBRATOR HMS525 (M2500+SM5S+H55)
- XAS 300-100 (CFM 300, PSI 100)
- SINGLE DIRECTION PLATE COMPACTOR MP20Y
- MOBILE SCAFFOLD TOWER WITH STAIRWAY TYPE
- ETC



GLOBALLY EXPORT ITEMS LIST

VINTAGE FURNITURE

We offer a wide range of timeless and elegant furniture for offices, hotels, and homes.

Examples include:

- *Sofa Set*
- *Coffee Table (Teak Wood)*
- *Desk*
- *Heavy Chair with Table*
- *King Bed + Side Table*
- *Wall Mount Cabinet*
- *ETC*



ELECTRICAL / ELECTRONICS ITEMS

We supply all types of Electrical Switchgear Equipment. Examples include:

- *Automation System*
- *Control Components*
- *Control Switches*
- *Lab Equipment*
- *Motors & Drives*
- *Motion & Power Solutions*
- *Power Controllers*
- *Safety Components*
- *Safety, Vision & IDENT*
- *Sensing Solutions*
- *Signal Light*
- *Switch Gears*
- *Switching & Accessories*
- *ETC*



GLOBALLY EXPORT ITEMS LIST

MACHINERIES



We supply all types of *engineering machineries*.

Examples include:

- *Extruder Machine*
- *Extruder Machine Spare Parts*
- *Nido Platform Stracker*
- *Nido 2500 Kgs Hydraulic Pallet Truck*
- *Portable Floor Cleaning Machine*
- *Professional Miter Saw*
- *Mettler Toledo Make IND235(P)(II)-DUE600S Weight Scale Machine*
- *Battery Powered PET Strapping Machine*
- *Two Colours Flexographic Printing Machine*
- *ETC*

PACKING MATERIAL

We supply a wide range of packing materials, including PET straps, BOPP tapes, wrapping rolls, bubble sheets, and more to meet diverse packaging needs.

Examples include:

- *PET Strap Roll (All Colors, Width: 12mm, Thickness: 0.65)*
- *PET Strapping Machine (Manual, Auto, Semi-Auto)*
- *BOPP Tape (All Sizes)*
- *Printed BOPP Tape*
- *Wrapping Roll*
- *Bubble Sheet*
- *Double-Sided Adhesive Tape*
- *Double-Sided Cotton Adhesive Tape*
- *PTFE Teflon Cloth*
- *ETC*



GLOBALLY EXPORT ITEMS LIST



GYM EQUIPMENTS

We supply all types of fitness equipment.

Examples include:

- Premium Commercial Treadmill
- Full Body Vibration Machine
- Vertical Knee Raise
- Olympic Bench
- PowerMax Olympic Barbell
- PowerMax Commercial Weight Plate
- ETC

KITCHEN UTENSILS

We supply all types of kitchen utensils.

Examples include:

- Commercial Convection Ovens with Humidity
- Air Fryer
- All types of Bakery Equipment, ETC

LAB EQUIPMENTS

We supply all types of lab equipment.

Examples include:

- Microscope Labomed Binocr
- Lab Consumables
- Blood Mixer (BM-II)
- BPL ECG M 6208 View
- Erba Chem 5X
- Finecare Instruments
- ETC

MARBLES & PEBBLES

We supply all types of marbles and pebbles.

Examples include:

- River Pebbles (Mix Color)
- White Marble Pebbles (50-80 MM)
- ETC

TOOLS

We supply all types of tooling.

Examples include:

- Taparia Brand Tools
- Stanley Tools
- Mitutoyo Measuring Tool
- ETC

SAFETY EQUIPMENT

We provide a comprehensive range of high-quality safety gear to ensure protection in various work environments.

Examples include:

- Safety Helmet (All Colours)
- Butyl Rubber Gloves
- Nitrile Hand Gloves
- Neoprene Gloves
- Fire Extinguisher
- K-Type 9 LTR Fire Extinguisher
- Fire Blanket
- Full Face Bike Helmet
- 3M Road Stud
- ETC

OUR SERVICES

Overseas Manpower Recruitment

Turnkey Project Manpower

We offer comprehensive manpower solutions for turnkey projects, supplying skilled labor for every project phase to ensure timely, high-quality execution.



Skilled/unskilled Manpower

We specialize in recruiting skilled and unskilled manpower for global industries, connecting employers with qualified professionals to meet their specific needs.



Technical / Business Consulting

We provide expert technical and business consulting services to help companies solve complex challenges, optimize systems, and drive growth with tailored strategies for success.



OUR PROCESS

WE DO THINGS BETTER

HOW WE DO EXPORTS?

Shivatrade provides export solutions tailored to the unique needs of its international buyers and partners.

1st

Inquiry & Requirement
Gathering

2nd

Quotation & Approval

3rd

Order Confirmation

4th

Quality Check & Packaging

5th

Documentation
& Custom Clearance

6th

Shipping & Delivery

We are dedicated to delivering a complete service chain encompassing marketing, sales to ensure the satisfaction and long-term success of our partners.



WE ARE ONLINE
VISIT US ON OUR WEBSITE FOR
MORE INFORMATION



www.shivatradeimpex.com

EXPORT SOLUTION
THANK YOU!

WE EXPORT
ANYWHERE IN THE WORLD!